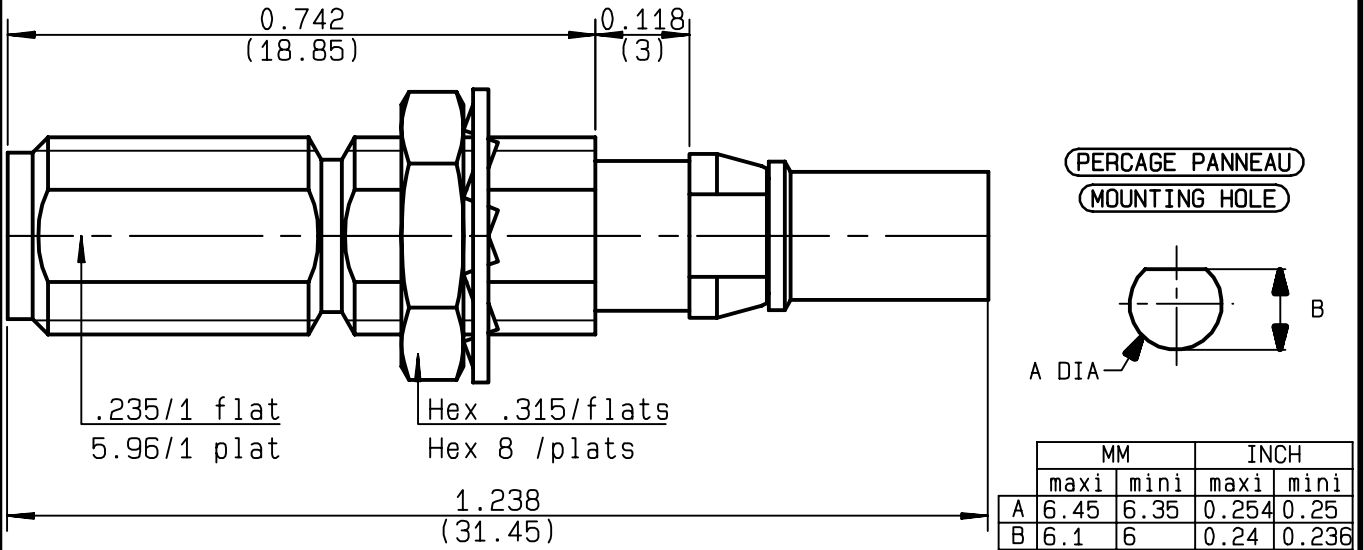


SMA FEMALE BULKHEAD - DIN 41626 FEMALE STRAIGHT ADAPTER

R191.367.150
SERIES ADAPT



NOMINAL IMPEDANCE	50 Ω
FREQUENCY RANGE	0-2 GHz
TEMPERATURE RATING	-55/+155 °C
V.S.W.R	1.12 + x F(GHz)Maxi
RF INSERTION LOSS	NA √F (GHz) dB Maxi
VOLTAGE RATING	250 Veff Maxi
DIELECTRIC WITHSTANDING VOLTAGE	750 Veff Mini
INSULATION RESISTANCE	1000 MΩMini
HERMETIC SEAL	NA Atm.cm ³ /s
LEAKAGE (pressurized only)	NA
MECHANICAL DURABILITY	500 Cycles
WEIGHT	3.45 gr
SPECIFICATION	

CABLES :	
OTHERS CHARACTERISTICS	
CABLE RETENTION	N Mini
CENTER CONTACT RETENTION	
Axial force - mating end	10 N Mini
Axial force - opposite end	10 N Mini
Torque	NA cm.N Mini
RECOMMENDED TORQUES	
Mating	NA cm.N
Panel nut	150 cm.N
Clamp nut	NA cm.N

CONNECTOR PARTS	MATERIALS	FINISH	(all values are given in micrometers)
BODY	BRASS	GOLD 0.5 OVER NICKEL	2
OUTER CONTACT		GOLD 0.5 OVER NICKEL	2
CENTER CONTACT	BERYLLIUM COPPER	GOLD 1.3 OVER NICKEL	2
INSULATOR	PTFE	-	
GASKET		-	
OTHERS PIECES	BRASS	GOLD 0.2 OVER NICKEL	2

ISSUE 0204A00	CREATION DATE 28/11/1996	FILE PART-NUMBER 95-0130-433
-------------------------	------------------------------------	--



RADIALL®

FANJAT

The information given here is subject to change without notice. Design changes may be in order to improve the product.

Connect to the future